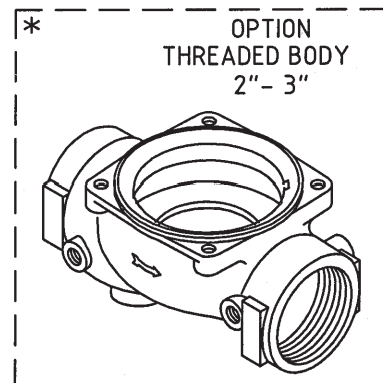
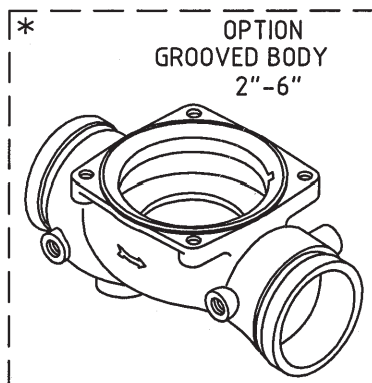
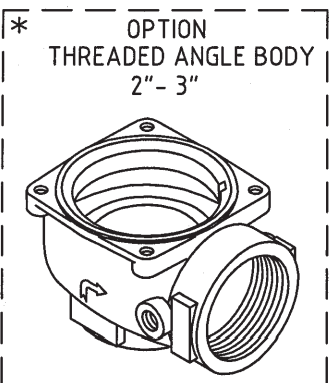
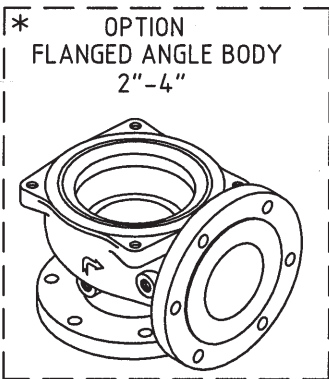
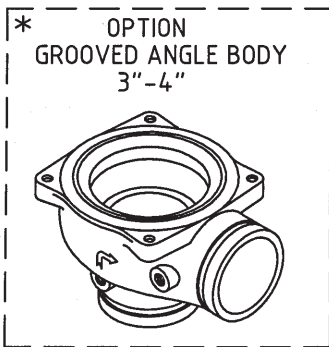
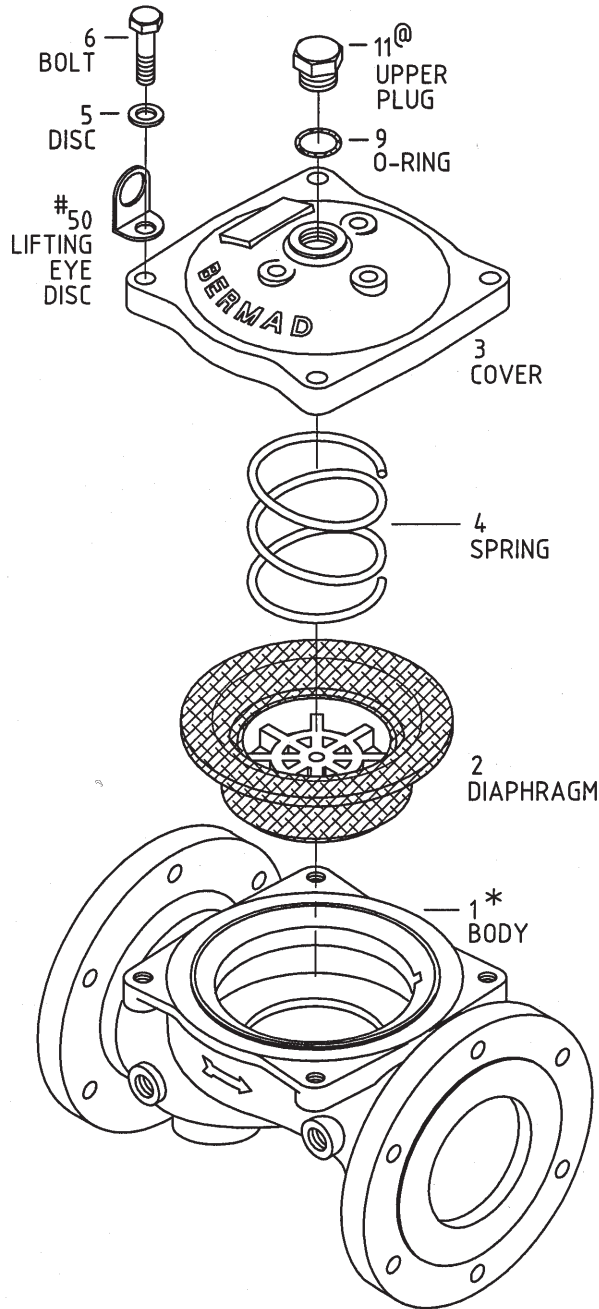




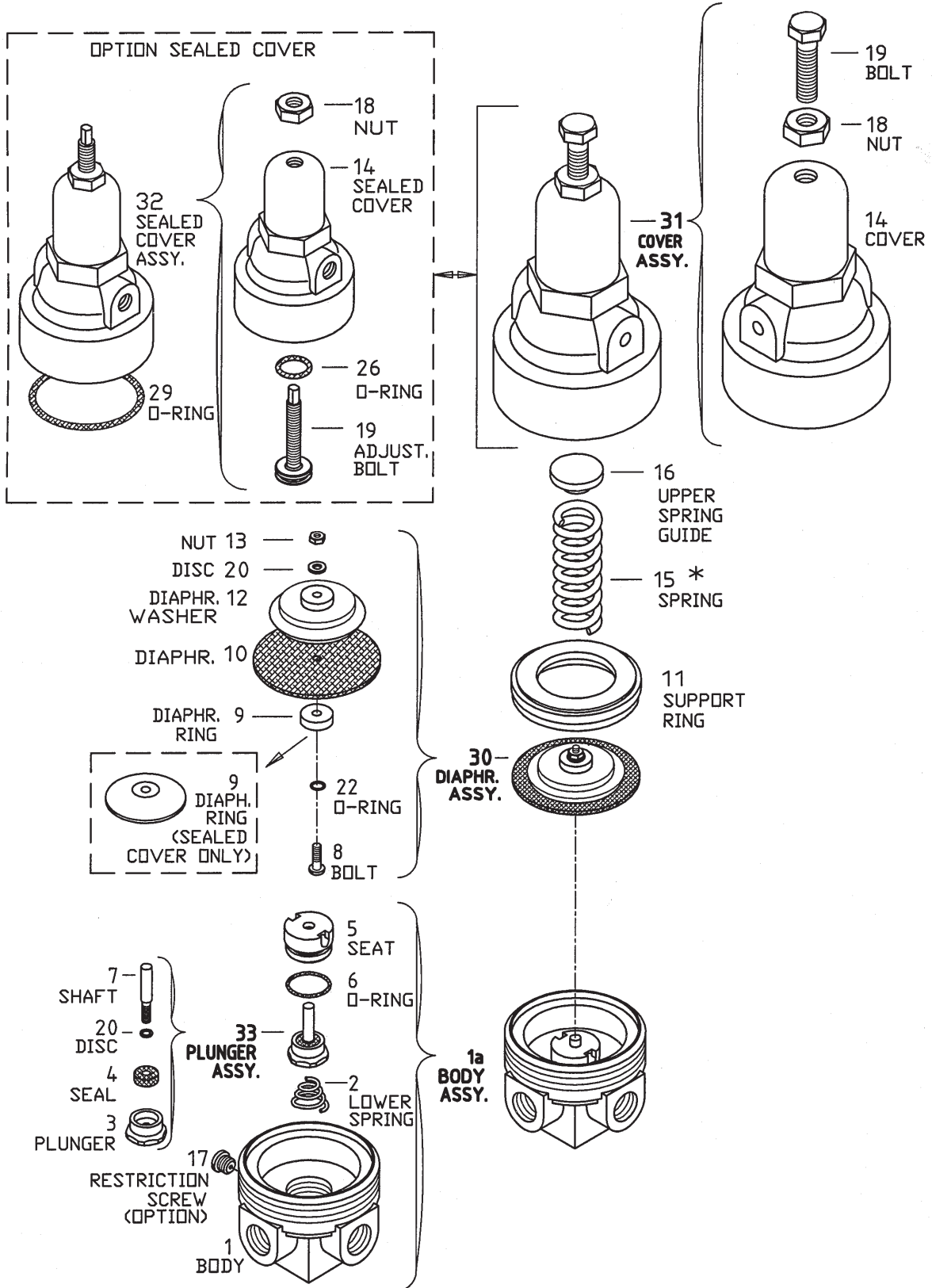
Basic Control Valves for Waterworks (WW)

Sizes: 2"-10"



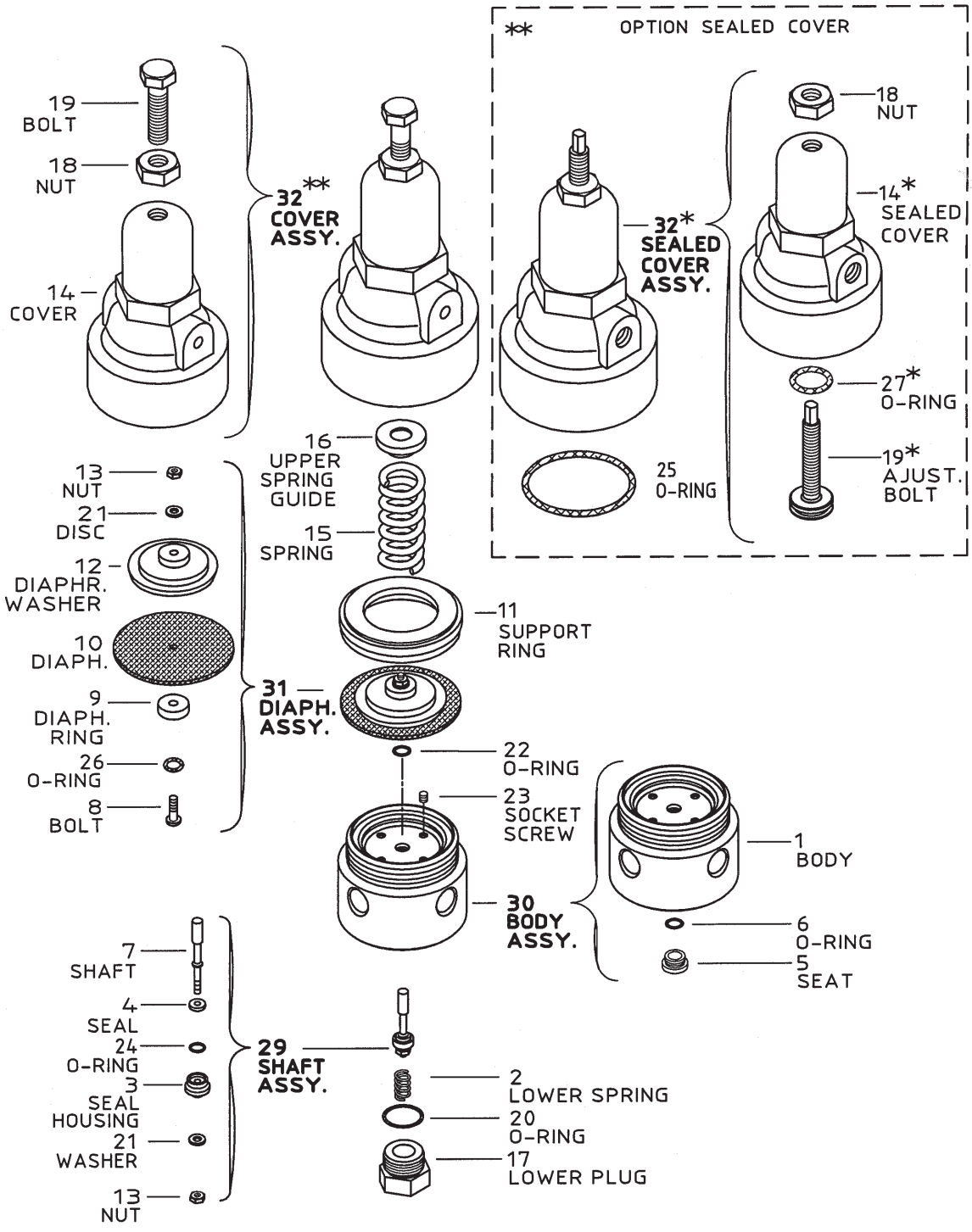


PC-20-AM Metal - 2-way Pressure Reducing Mini Pilot Valve

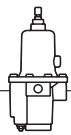


* - DIFFERENT SPRING

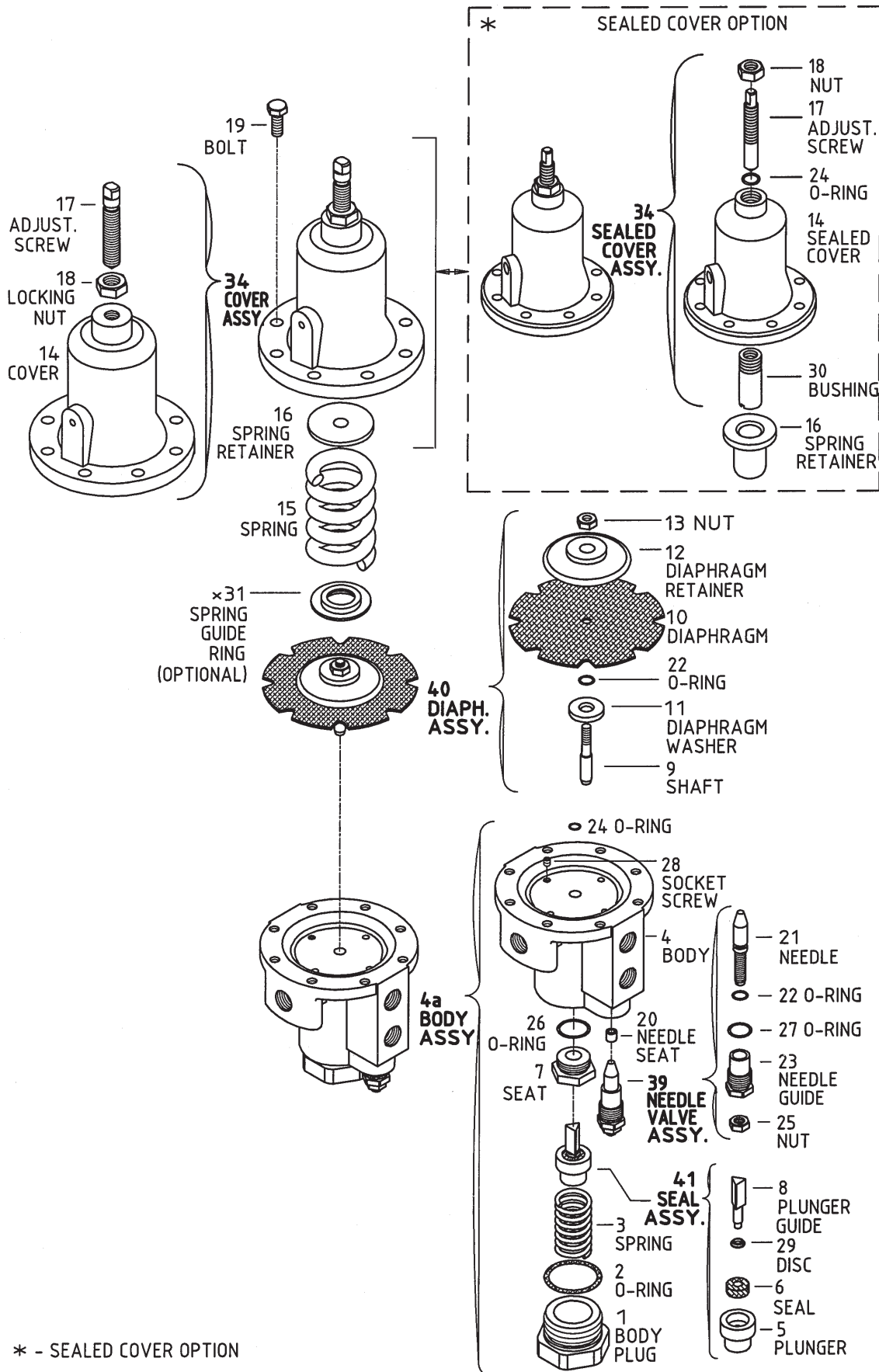
#2PB 2-way Pressure Reducing Pilot Valve



* - FOR SEALED COVER ONLY



#2 2-way Pressure Reducing Pilot Valve



* - SEALED COVER OPTION