

## Level Control Valve with Modulating Horizontal Float

(Sizes 1½-10"; DN40-250)

### Description

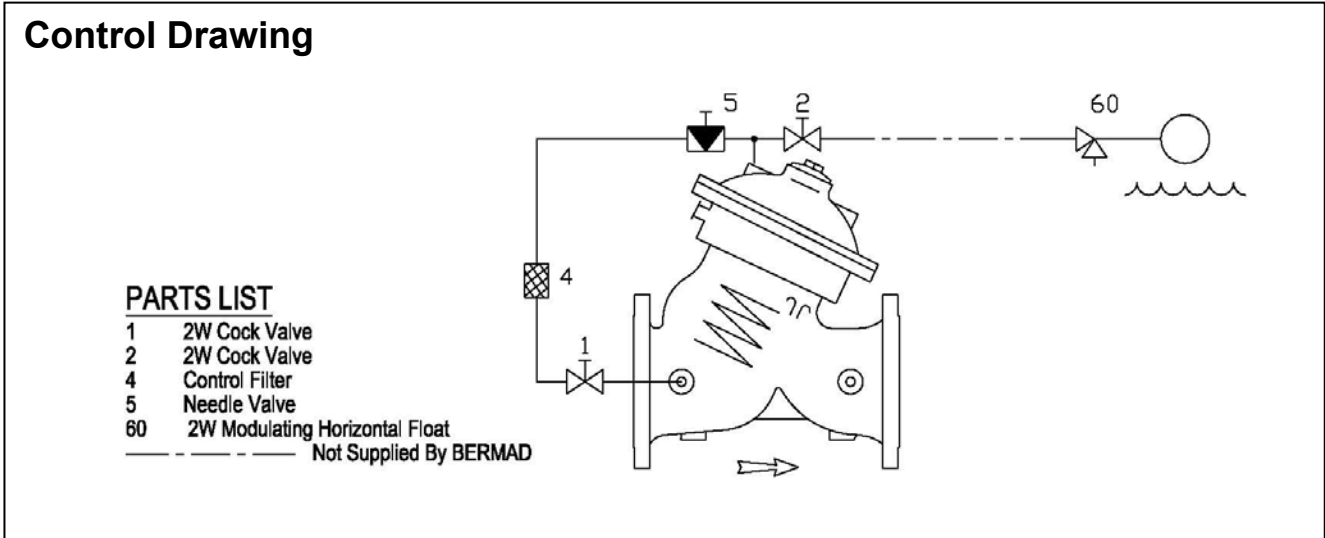
The Model 750-60 Level Control Valve with Modulating Horizontal Float is a hydraulically operated, diaphragm actuated, double chambered control valve that hydraulically controls reservoir filling to maintain constant water level, regardless of fluctuating demand.

### Installation

1. Ensure enough space around the valve assembly for future maintenance and adjustments.
2. Prior to valve installation, flush the pipeline to insure flow of clean fluid through the valve.
3. For future maintenance, install Isolation gate valves upstream and downstream from Bermad control valve.
4. Install the valve in the pipeline with the valve flow direction arrow in the actual flow direction. Use the lifting ring provided on the main valve cover for installing the valve.
5. For best performance, it is recommended to install the valve horizontally and upright. For different valve positions – consult Bermad.
6. It is highly recommended to install a strainer Bermad model 70F upstream from the pressure reducing valve, to prevent debris from damaging valve operation.
7. Install the float pilot assembly near the reservoir man-hole, at a still place or at an internal stilling tank.
8. Determine the desired float location at the reservoir desired level and up-to 20 Cm above it.
9. Fix the float to the reservoir wall, or other stable element, ensuring the float will remain still in its original orientation.
10. Anchor the float arm position by tightening the arm base screws, using 7/16" spanners.
11. Thread-in the float ball on to the arm and lock it near the edge of the arm, using a 7/16" spanner. Tighten the lock nut.
12. Pull a ½" or ¾" control tube, from the valve to the float.
13. Connect the control tube ends, using ¾" copper or reinforced plastic tube, to the valve and to the float, according to control drawing below, from cock valve [2] to float inlet port.

### Commissioning & Calibration

1. Confirm that cock valves [1] and [2] are open (handle parallel to cock-valve body).
2. Confirm that the supply pressure is typical.
3. Adjust the water level by setting the float arm angle: Hold the float arm at its upper position & set the angle to 100 mm below desired upper level (but not higher than 150 mm below over-flow level).
4. Open upstream and downstream isolating valves. Allow the 750-60 to open (ensuring the float ball is at its lower position) and fill-up the reservoir.
5. Vent air from the valve control loop:  
During filling the reservoir move the float arm manually to its upper position, forcing the valve to close, then to its lower position, forcing the valve to open. At each position, vent air from the valve control loop by loosening tube fitting at the highest point on the valve & at pilot float inlet port, allowing the air to bleed. Retighten the fittings eyebolts.
6. Calibrating reservoir level:  
Ensure that the 750-60 closes as the water level reaches the set-level. If the 750-60 has not closed, change the float arm angle down, to lower level setting or up to raise it, until the valve closes **automatically** at the desired upper-level. Allow the water level to drop by consuming from the reservoir or by draining it. This will cause the valve to open.
7. The needle valve [5] enables the 2-Way control and controls valve closing speed. It should be set between 1 to 2 turns open, according to valve size, float distance & elevation and the desired closing speed.
8. Cock valve [2] enables manual closing.



### Trouble-Shooting

- Valve fails to Open:** Check for sufficient inlet pressure, confirm float setting & check cock valves status, check needle valve opening rate, confirm control tube length, size & elevation, detect for clogged ports or fittings between valve & float.
- Valve fails to Close:** Confirm float setting, check cock valves status, needle valve opening rate, clean control filter & detect for clogged ports or fittings, check if any debris trapped in the main valve, confirm diaphragm is not leaking.
- Valve fails to Regulate:** Check cock valves status, release air trapped in the 750-60 control chamber .

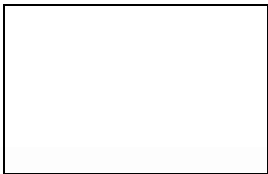
### Preventative Maintenance

- System operating conditions that effect on the valve should be checked periodically to determent the required preventative maintenance schedule.
- Maintenance instructions:
  - Tools required:
    - Metric and imperial wrenches
    - Anti seize grease
  - Visual inspection to locate leaks and external damages
  - Functional inspection including: closing, opening and regulation.
  - Close upstream and downstream isolating valves (and external operating pressure when used).
  - Once the valve is fully isolated vent pressure by loosening a plug or a fitting.
  - Open the stud nuts and remove the actuator as one unit from the valve body. Disassemble necessary control tubs.
  - It is highly recommended to stock a reserve actuator assembly for each size. This allows minimum system field work and system down time.
  - Disassemble the actuator and examine its parts carefully for signs of wear, corrosion, or any other abnormal conditions.
  - Replace worn parts and all the Elastomers. Lubricate the bolts and studs threads with Anti seize grease.

### Spare parts

Bermad has a convenient and easy to use ordering guide for valve spare-parts and control system components. For solenoid valves refer to model and S/N on solenoid tags.

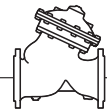
Pub # : IOMEW750-60	By: YE 1/08	Rev: 01YE-1/08	File name: IOMEW750-60_01_08
---------------------	-------------	----------------	------------------------------



[appliceng@bermad.com](mailto:appliceng@bermad.com) • [www.bermad.com](http://www.bermad.com)

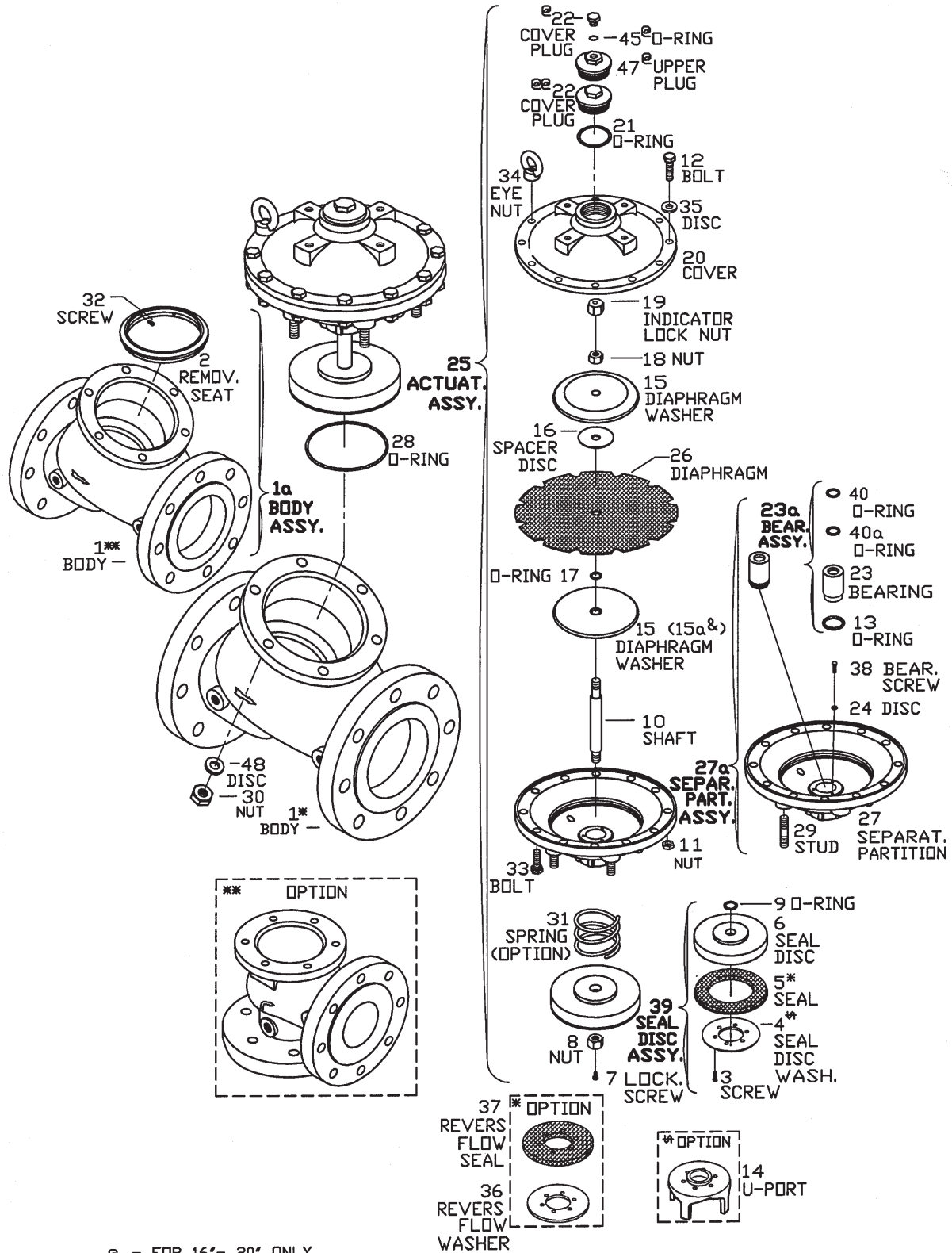
The information contained in this document is subject to change without notice.

BERMAD shall not be liable for any errors contained herein. All Rights Reserved. © Copyright by BERMAD Control Valves.



## Diaphragm Actuated Basic Control Valves

Sizes: 4"-20"



⊕ - FOR 16"- 20" ONLY  
 ⊕ - FOR 4"- 14" ONLY  
 & - FOR HIGH PRESSURE ONLY

## WW-700 Series Elastomers

Created 1.8.2009

Updated 5.8.09

Page Number	Part No.		Part No.		Part No.		Part No.		Part No.		Part No.		# KIT Item No.
	O-ring code # Item No. (Qty - 1)	O-ring code # Item No. (Qty - 2)	O-ring code # Item No. (Qty - 1)	O-ring code # Item No. (Qty - 2)	O-ring code # Item No. (Qty - 1)	O-ring code # Item No. (Qty - 2)	O-ring code # Item No. (Qty - 1)	O-ring code # Item No. (Qty - 2)	O-ring code # Item No. (Qty - 1)	O-ring code # Item No. (Qty - 2)	O-ring code # Item No. (Qty - 1)	O-ring code # Item No. (Qty - 2)	
38	700		700		700		700		700		700		2520-00000
	1.5"-2.5" DN40-DN65	2-232 0535171232	2-012 0517172007	5-617 0527172130	2-020 0517172175	2-012 0517172007	2-119 0526172310	2-119 0526172310	2-011 0517172012	2-011 0517172012	2-011 0517172012	2-011 0517172012	
39	3" DN80		3" DN80		3" DN80		3" DN80		3" DN80		3" DN80		2530-00000
	2-237 0535171237	2-012 0517172007	2-012 0517172007	5-617 0527172130	2-120 0526172466	2-012 0517172007	2-119 0526172310	2-119 0526172310	2-011 0517172012	2-011 0517172012	2-011 0517172012	2-011 0517172012	
40	4" DN100		4" DN100		4" DN100		4" DN100		4" DN100		4" DN100		2540-00000
	2-246 0535171246	5-617 0527172130	5-617 0527172130	5-617 0527172130	2-120 0526172466	2-012 0517172007	2-119 0526172310	2-119 0526172310	2-011 0517172012	2-011 0517172012	2-011 0517172012	2-011 0517172012	
40	6" DN150		6" DN150		6" DN150		6" DN150		6" DN150		6" DN150		2560-00000
	2-364 0553171364	2-212 0535172061	2-212 0535172061	2-212 0535172061	2-126 0526172171	5-617 0527172130	2-227 0535172365	2-227 0535172365	2-011 0517172012	2-011 0517172012	2-011 0517172012	2-011 0517172012	
40	8" DN200		8" DN200		8" DN200		8" DN200		8" DN200		8" DN200		2580-00000
	2-372 0553171372	2-216 0535171216	2-216 0535171216	2-216 0535171216	2-130 0526172566	2-116 0526172111	2-227 0535172365	2-227 0535172365	2-011 0517172012	2-011 0517172012	2-011 0517172012	2-011 0517172012	
40	10" DN250		10" DN250		10" DN250		10" DN250		10" DN250		10" DN250		2510-00000
	2-379 0553171379	2-218 0535172034	2-218 0535172034	2-218 0535172034	2-133 0526172160	2-118 0526172166	2-227 0535172365	2-227 0535172365	2-011 0517172012	2-011 0517172012	2-011 0517172012	2-011 0517172012	
40	12" DN300		12" DN300		12" DN300		12" DN300		12" DN300		12" DN300		2512-00000
	2-456 0569171456	2-223 0535171223	2-223 0535171223	2-326 0553172027	2-227 0535172365	2-120 0526172466	2-227 0535172365	2-227 0535172365	2-011 0517172012	2-011 0517172012	2-011 0517172012	2-011 0517172012	
40	16"-20" DN400-500		16"-20" DN400-500		16"-20" DN400-500		16"-20" DN400-500		16"-20" DN400-500		16"-20" DN400-500		2516-00000
	2-466 0569171466	2-230 0535171230	2-230 0535171230	2-233 0553171333	2-340 0553171340	2-223 0535171223	2-119 + 2-236 0535172125 (21) & 0526172310 (45)	2-223 0535171223	2-011 0517172012	2-011 0517172012	2-011 0517172012	2-011 0517172012	

\* Please note that some items may be used for various sizes and positions.

\* Data correct at "Updated" date only, please consult factory for updated data.