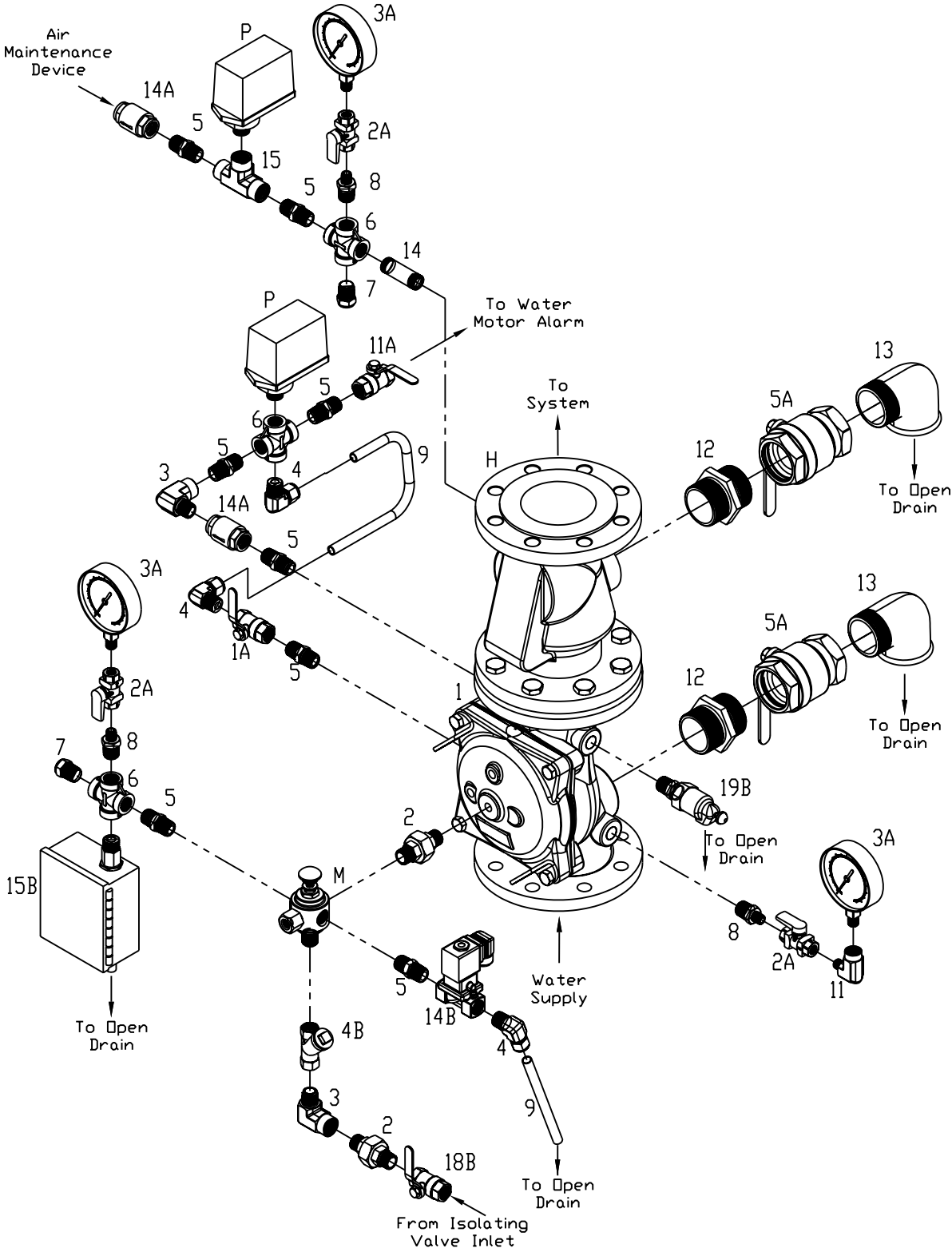


# Bermad Model: 400E 7BM Double Interlock Preaction Electric/Electric Release System

Trim Illustration Vertical Installation



NOTE:  
Valve must be trimmed as shown.  
Any deviation in trim size or arrangement  
may affect the proper operation of the valve.

**Bermad Double Interlock Preaction  
Electric/Electric Release System  
Model: FP-400E-7BM / 700E-7BM  
Trim Component List**

| Item | Description                           | Qty | Note |
|------|---------------------------------------|-----|------|
| 1    | MAIN DELUGE VALVE                     | 1   |      |
| 2    | UNION 1/2"                            | 2   |      |
| 3    | STREET ELBOW 1/2"                     | 2   |      |
| 4    | MALE ELBOW 1/2"X1/2"                  | 3   |      |
| 5    | NIPPLE 1/2"                           | 8   |      |
| 6    | CROSS 1/2"                            | 3   |      |
| 7    | SQUARE PLUG 1/2"                      | 2   |      |
| 8    | REDUCING NIPPLE 1/2"X1/4"             | 3   |      |
| 9    | TUBE 1/2"                             | 1   |      |
| 11   | STREET ELBOW 1/4"                     | 1   |      |
| 12   | DRAIN NIPPLE 3/4"                     | 2   | 4    |
| 13   | DRAIN ELBOW 3/4"                      | 2   | 4    |
| 14   | NIPPLE 1/2"X3.5"                      | 1   |      |
| 15   | FEMALE TEE 1/2"                       | 1   |      |
| 1A   | ALARM TEST VALVE 1/2"                 | 1   |      |
| 2A   | GAUGE VALVE 1/4"                      | 3   |      |
| 3A   | PRESSURE GAUGE 4"                     | 3   | 2    |
| 4B   | PRIMING STRAINER 1/2"                 | 1   |      |
| 5A   | DRAIN VALVE - 3/4" BALL VALVE         | 2   | 1,4  |
| 11A  | ALARM SHUTOFF VALVE - 1/2" BALL VALVE | 1   |      |
| 14A  | CHECK VALVE 1/2"                      | 2   |      |
| 14B  | SOLENOID VALVE 1/2" ASCO 8210G207     | 1   | 5    |
| 15B  | MANUAL EMERGENCY RELEASE MODEL-D      | 1   | 1    |
| 18B  | PRIMING VALVE - 1/2" BALL VALVE       | 1   |      |
| 19B  | DRIP CHECK                            | 1   | 5    |
| H    | CHECK VALVE SWING TYPE 2" - 10"       | 1   | 5    |
| M    | MANUAL RESET DEVICE ASSY.             | 1   | 5    |

**Optional System Items:**

|   |                   |   |   |
|---|-------------------|---|---|
| P | PRESSURE SWITCH   | 5 | 1 |
| W | WATER MOTOR ALARM | 5 | 1 |

**Notes:**

- (1) Shall be UL Listed in accordance with UL 258
- (2) Shall be UL Listed in accordance with UL 393
- (3) Shall be UL Listed in accordance with UL 753
- (4) For 2" : 3/4" Drain Valve  
For 2 1/2" & 3" : 1 1/2" Drain Valve  
For 4" and larger : 2" Drain Valve
- (5) Shall be UL Listed for fire protection service
- (6) Construction material Brass/S.S 316 or corrosion resistant equivalent