

# Hydraulic Control Valve for Gardening

RAM 400 - Metal - 3/4", 1", 1 1/2", 2"



## **Bermad Control Valve, Model 405**

Designed for home or public gardening. These valves are made of metal and may be installed in any system for protection against breakage or vandalism.

## **Bermad Control Valve, Model 405**

It is a simple and reliable valve, lightweight and of easy maintenance. Constructed of 4 parts only.

## **Bermad Control Valve, Model 405**

Characterized by its soft opening and closing which prevent pressure surges along the line, even under high differential pressure. The valve is equipped with a special diaphragm (patented) which is supported along its entire circumference.

## **Bermad Control Valve, Model 405**

May be electrically operated by solenoid mounted directly on the valve, or by a hydraulic command from a remote solenoid manifold.

Compatible with most irrigation controllers available in the market.

## **Most Common Models:**

405-Z Hydraulic with a manual selector

410-Z Electrical with a manual selector

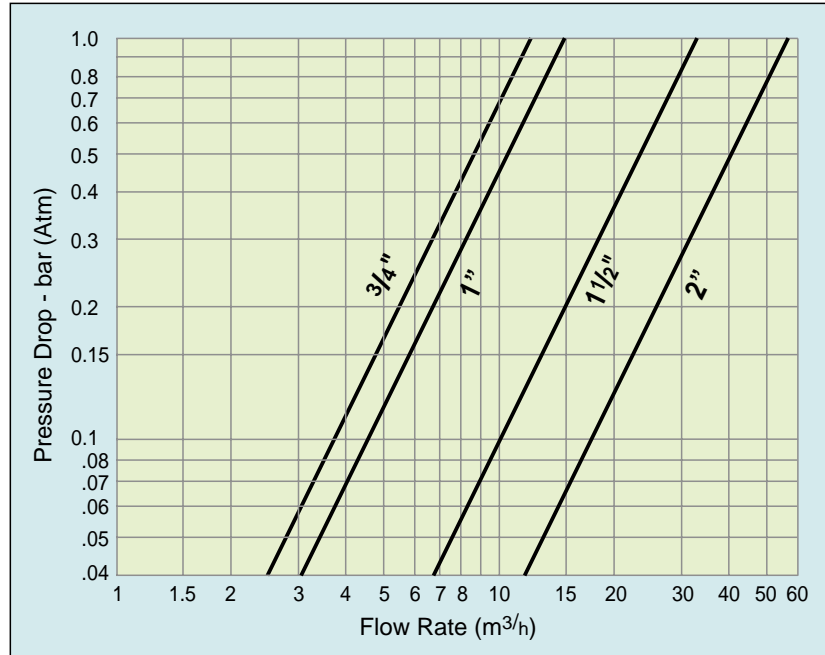


# Hydraulic Control Valve for Gardening - RAM 400 - Metal

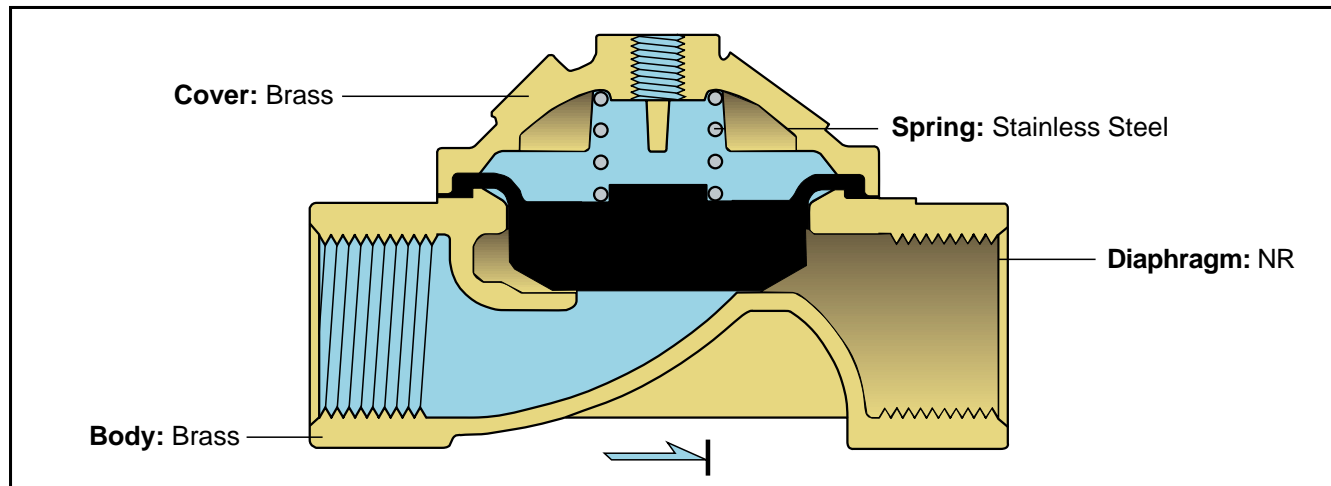
## Technical Data

- **Valve Pattern:** Globe
- **Sizes:** 3/4", 1", 1 1/2", 2"
- **End Connections:**  
Threaded female NPT, BSPT
- **Pressure Rating:**  
ISO PN 10  
ANSI: Class 125
- **Operating Pressure Range:**  
0.7-10 bar (Atm)
- **Temperature Range:**  
(water) up to 80°C

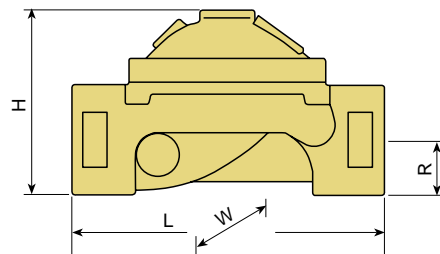
## Flow Chart



## Valve Assembly and Materials



## Dimensions and Weights



Size	3/4"	1"	1 1/2"	2"
L (mm)	112	112	150	180
H (mm)	67.5	67.5	83	110
R (mm)	20	20	27.5	38
W (width mm)	72	72	90	100
Weight (kg)	0.950	0.950	1.5	4.0



E-mail: [info@bermad.com](mailto:info@bermad.com)