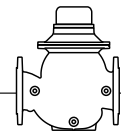




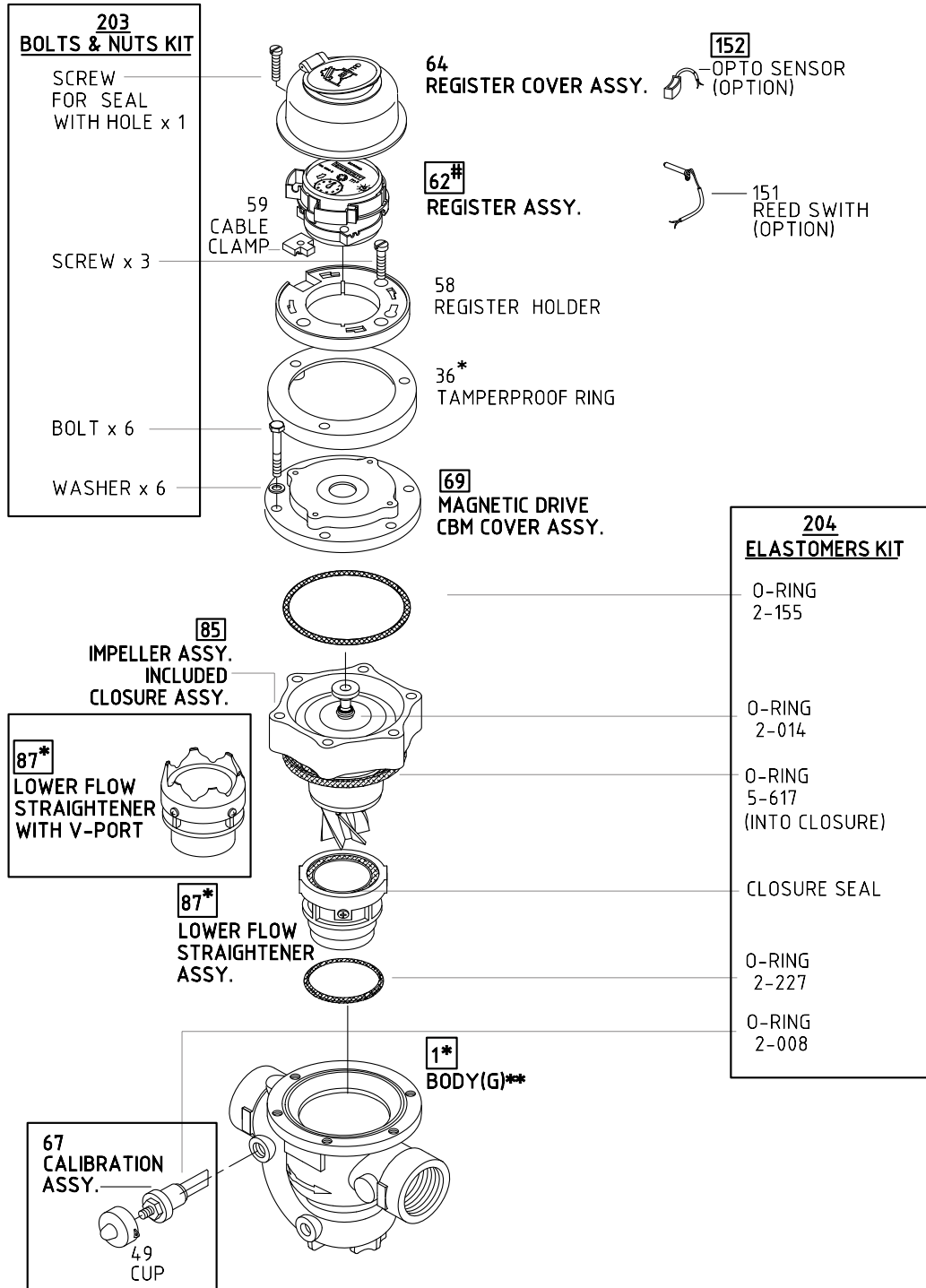
BERMAD IR Spare Parts



900 Series

CBM - Magnetic Drive Hydrometers

Sizes: 1½-3"R; DN40-80R

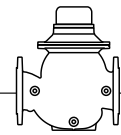


□ - RANGE OF DIFFERENT CONFIGURATIONS ACCORDING SPECIFIC REQUIEREMENTS

- SPECIFY REGISTER ACCORDING TO INSTRUCTION.

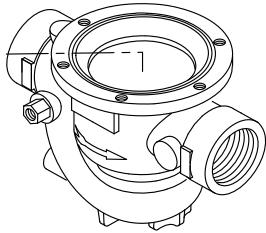
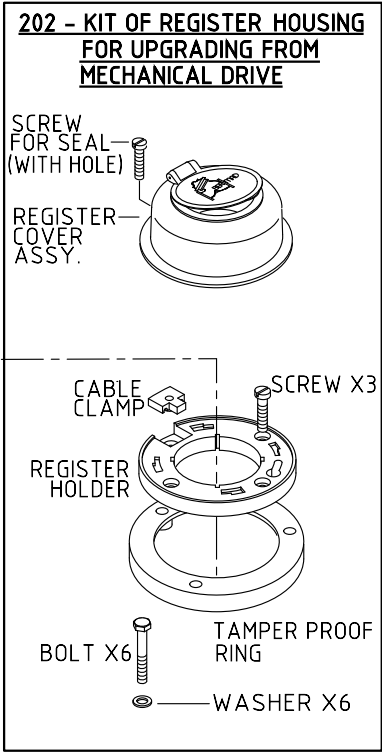
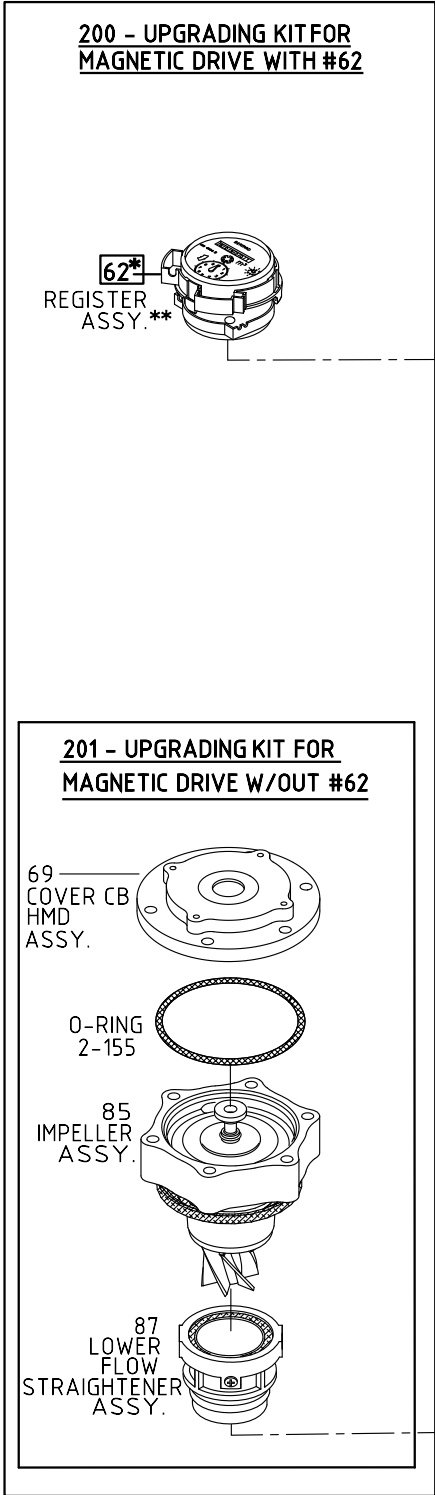
* - USE SAME PART PAGE 15

** - OTHER VALVE BODIES OPTIONS SEE PAGE 17g.

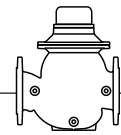


CBM - Upgrading-Kit For Magnetic Drive Hydrometer

Sizes: 1½-3"R; DN40-80R

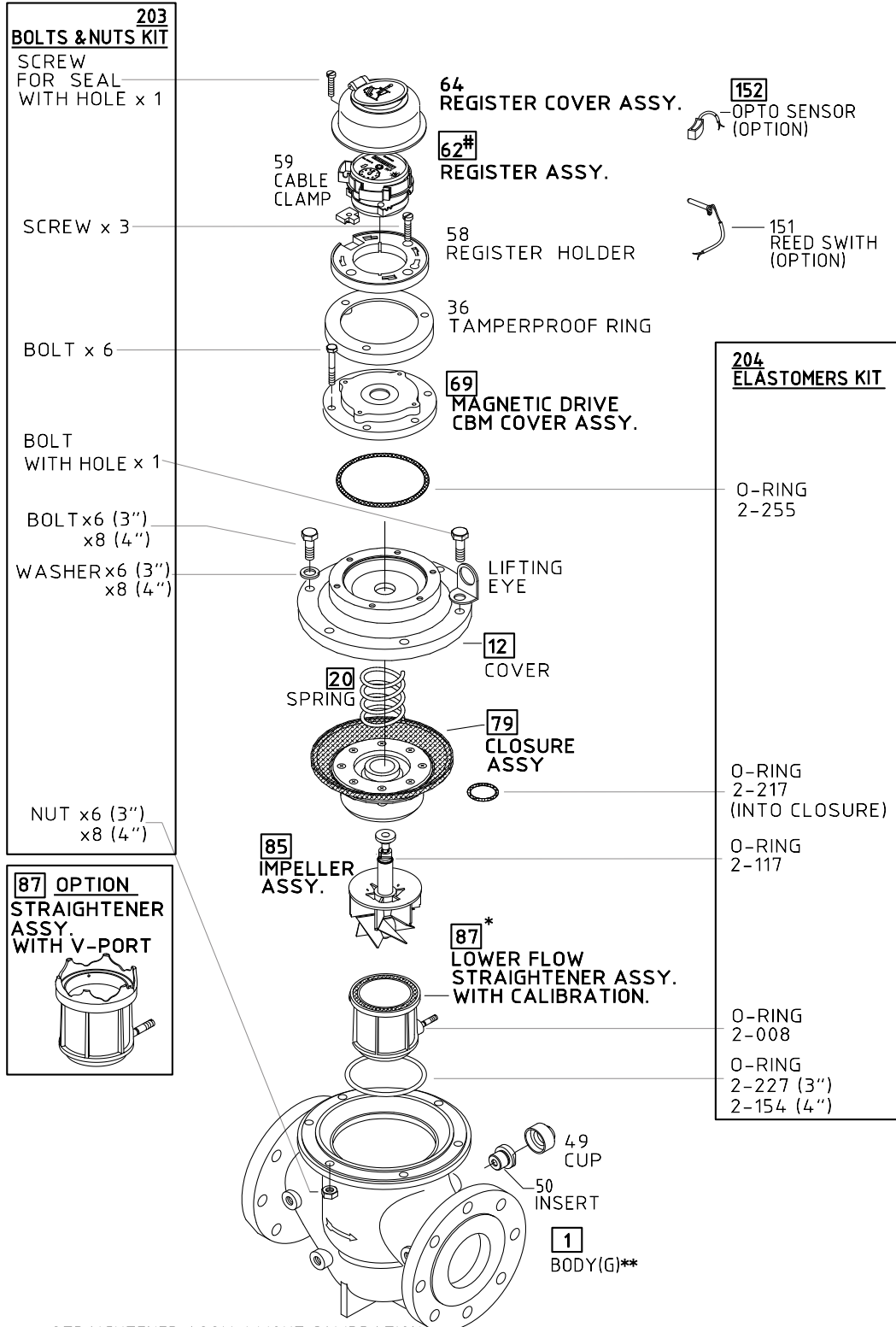


*SPECIFY REGISTER #62
 ** ACCORDING TO CUSTOMER DEMAND

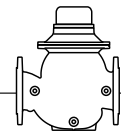


CBM - Magnetic Drive Hydrometer

Sizes: 3-4"; DN80-100

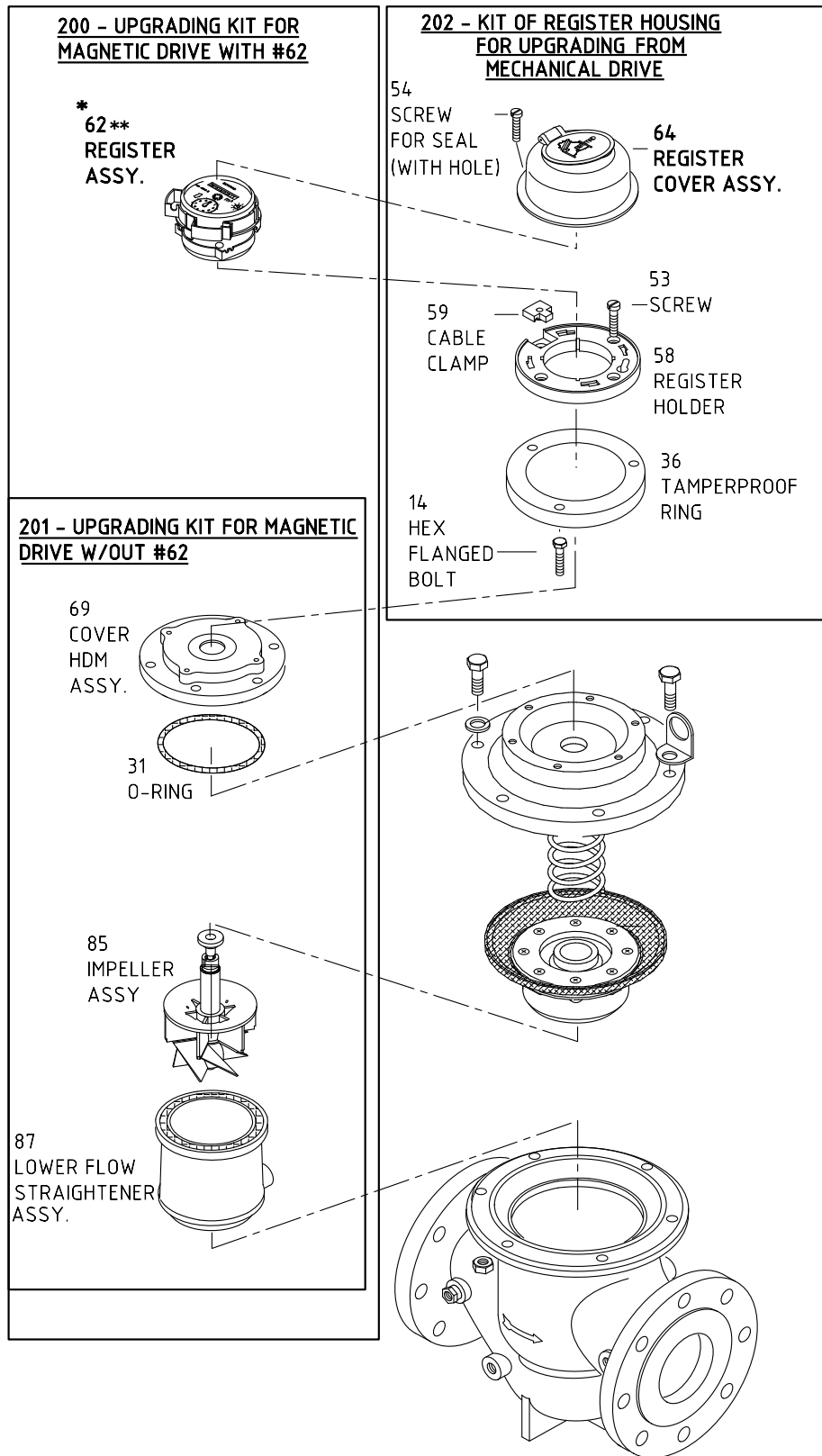


* - STRAIGHTENER ASSY, W/OUT CALIBRATION
 □ - RANGE OF DIFERENT CONFIGURATIONS ACORDING SPECIFIC REQUIEREMENTS
 # - SPECIFY REGISTER ACCORDING TO INSTRUCTIONS
 ** - OTHER VALVE BODIES OPTIONS SEE PAGE 17g.



CBM - Upgrading Kit Magnetic Drive Hydrometer

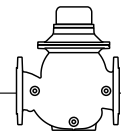
Sizes: 3-4"; DN80-100



* SPECIFY REGISTER #62
 ** ACCORDING TO CUSTOMER DEMAND



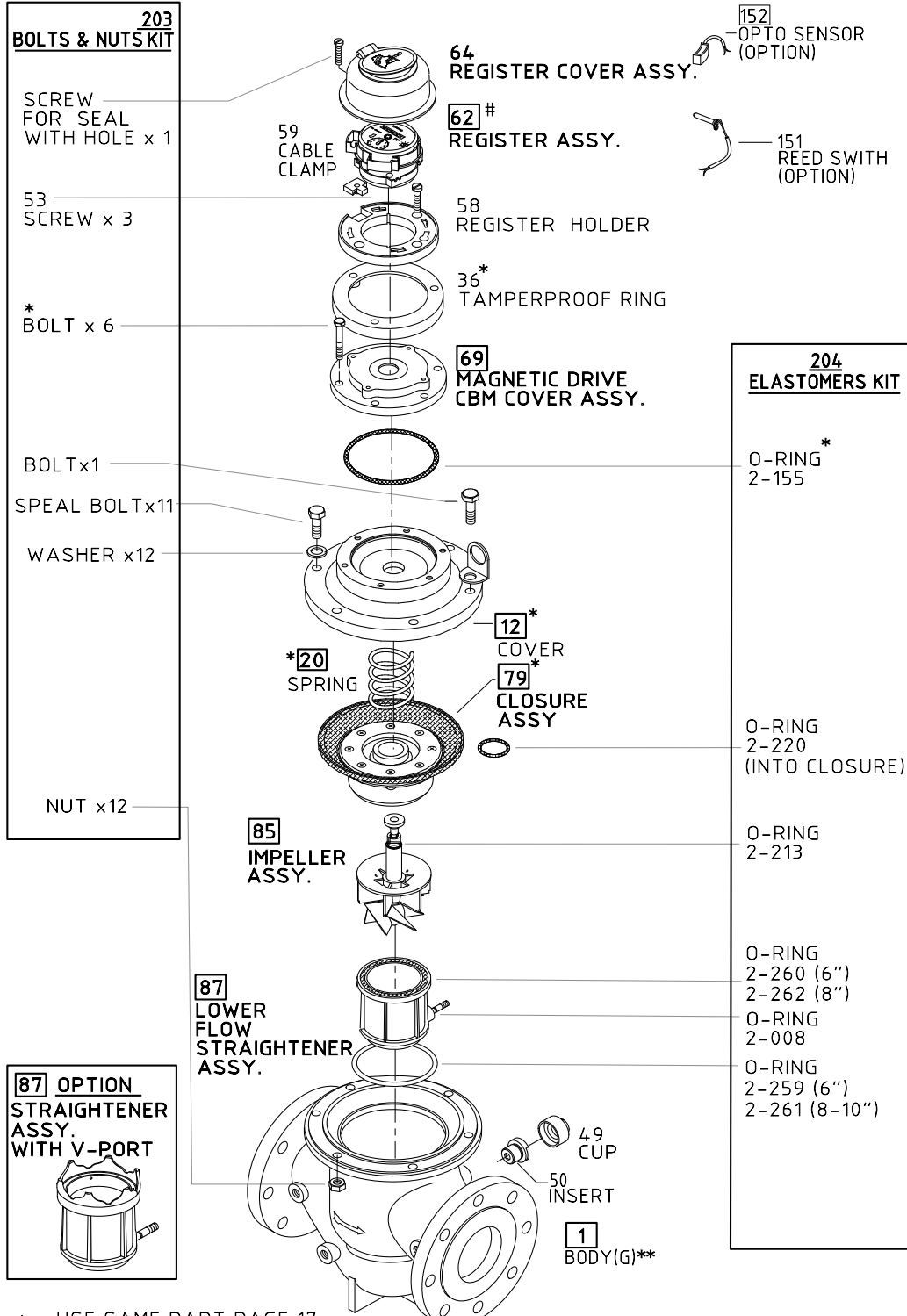
BERMAD IR Spare Parts



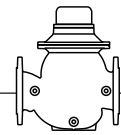
900 Series

CBM - Magnetic Drive Hydrometer

Sizes: 6-10"; DN150-250

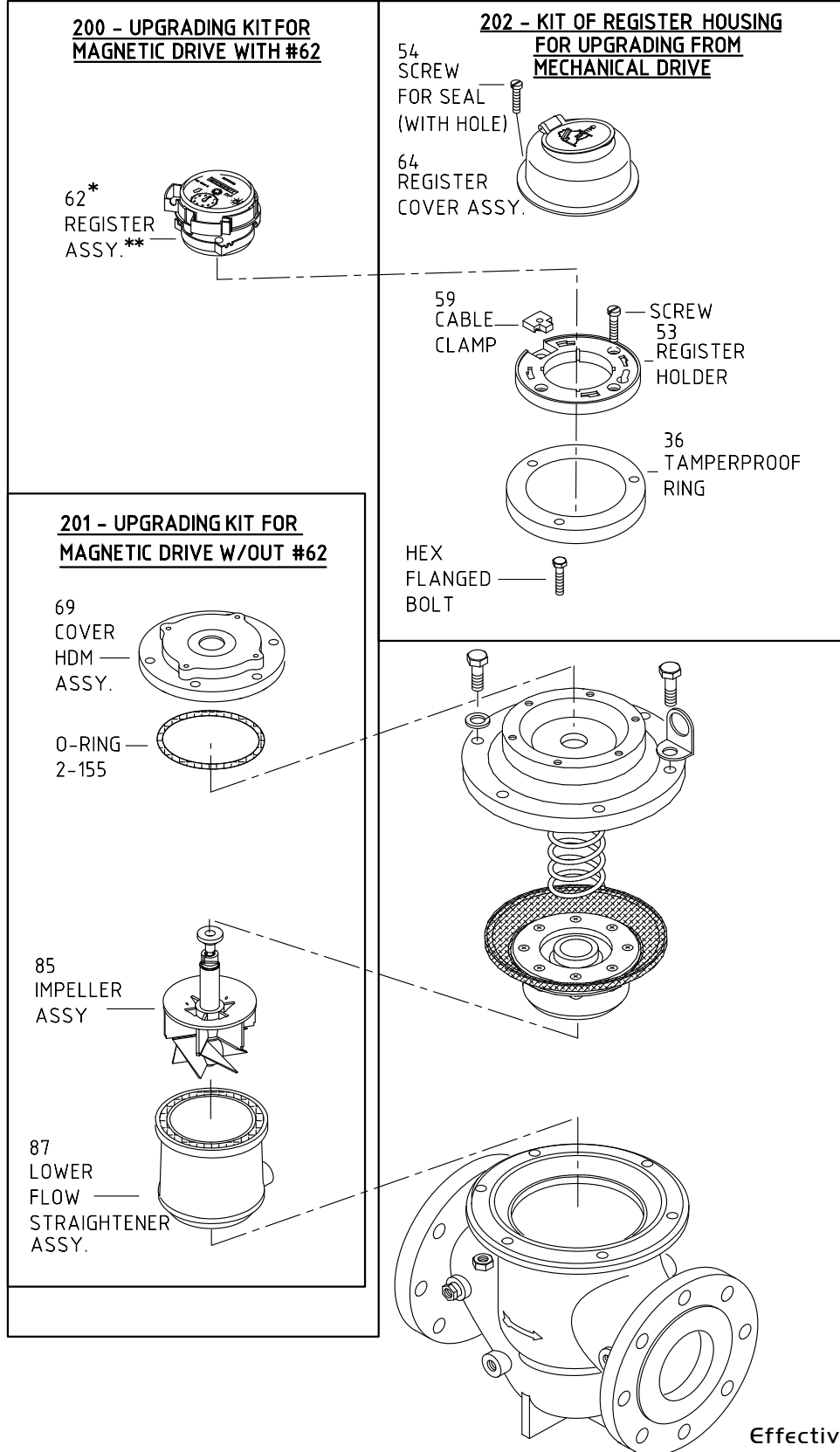


- * - USE SAME PART PAGE 17
- - RANGE OF DIFERENT CONFIGURATIONS ACORDING SPECIFIC REQUIEREMENTS
- # - SPECIFY REGISTER ACCORDING TO INSTRUCTIONS
- ** - OTHER VALVE BODIES OPTIONS SEE PAGE 17g.

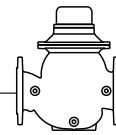


CBM - Upgrading Magnetic Drive Hydrometer

Sizes: 6-10"; DN150-250



* SPECIFY REGISTER #62
 ** ACCORDING TO CUSTOMER DEMAND

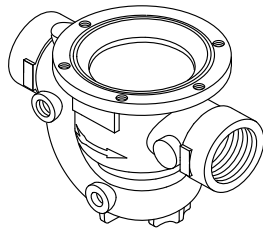


G, A & H Bodies Patterns Options

Sizes: 1½-10"; DN40-250

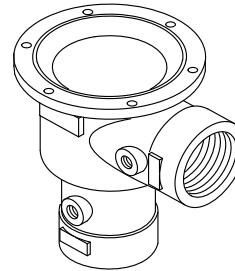
GLOBE THREADED BODY

9g-1.5"-3"R"BSP.F
9n-1.5"-2"NPT



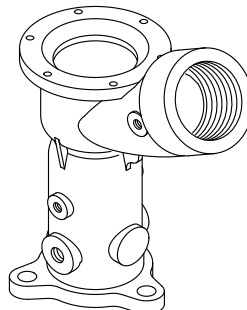
ANGLE THREADED BODY

9d-2"BSP.T
9c: 2" BODY FLANGED/THREADED



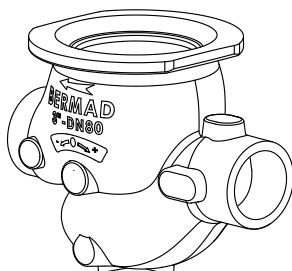
THREADED HYDRANT BODY BSP

FOR PADDLE PILOT.
9h-2.5"BSP.T



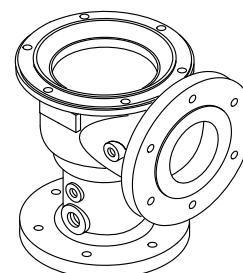
GROOVED BODY

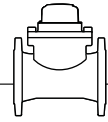
9r-sizes: 3"-6"



ANGLE FLANGED BODY

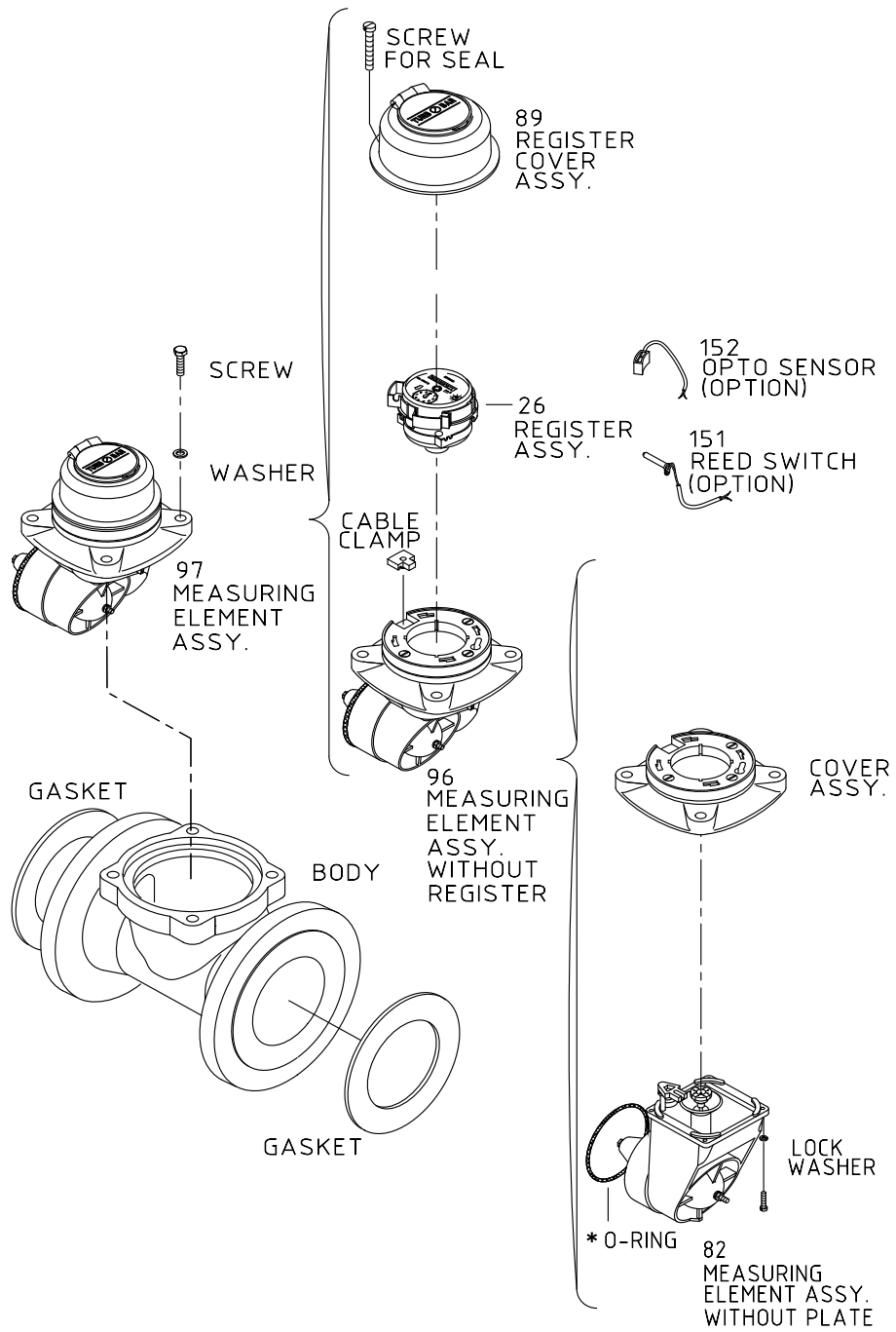
9f-sizes:3"-8"
9a:4" FLANGED BODY FOR HYDRANT





Woltman Turbo-Bar Water-Meters

Sizes: 1½-5"; DN40-125



* FOR DN 40-80 mm (1 1/2 " - 3") ONLY.