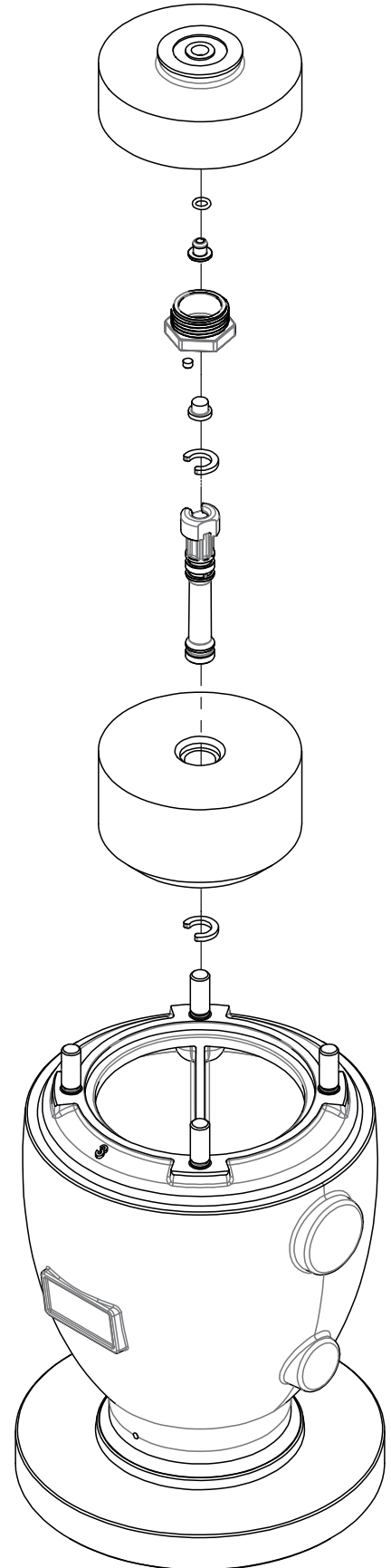
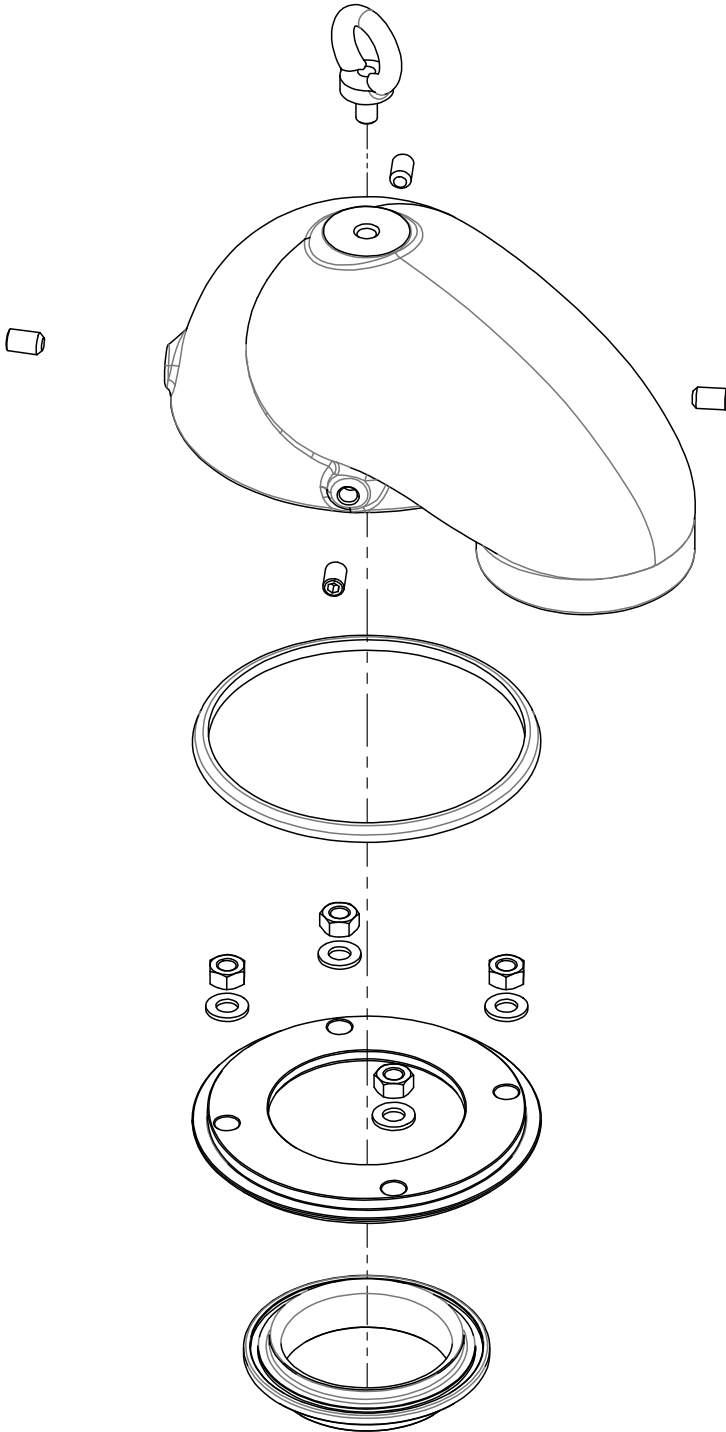
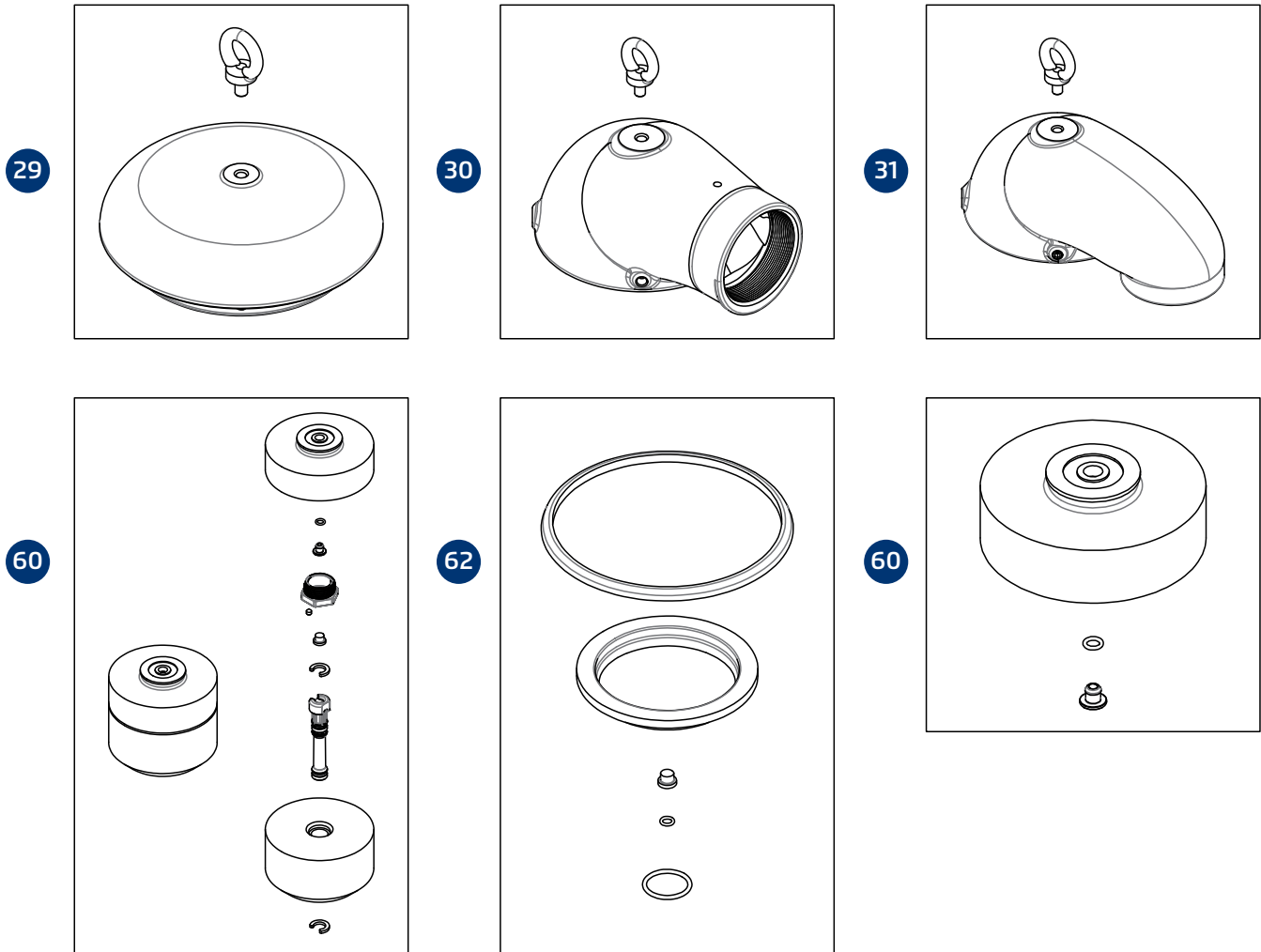


C70 Combination Air Valve - 2-10"; DN50-250



* Drawings are for illustration purposes only

C70 Combination Air Valve - 2-10"; DN50-250



Outlets

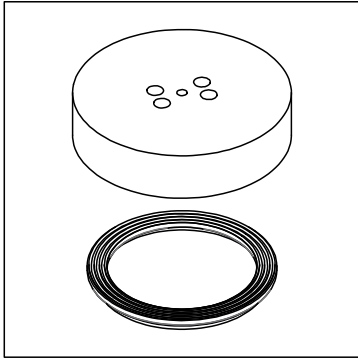
Inlet connection size	29 Mushroom Cover Assy.	30 Side Cover Assy. (BSP)	30 Side Cover Assy. (NPT)	31 Down Cover Assy.
2"; DN50	85200P0395-p	85200P0295-p	85200P0595-p	85200P0195-p
3"; DN80	85300P0395-p	85300P0295-p	85300P0595-p	85300P0195-p
4"; DN100	85400P0395-p	85400P0295-p	---	85400P0195-p
6"; DN150	85600P0395-p	85600P0295-p	---	85600P0195-p
8"; DN200	85800P0395-p	85800P0295-p	---	85800P0195-p
10"; DN250	85010P0395-p	---	---	---

Internals

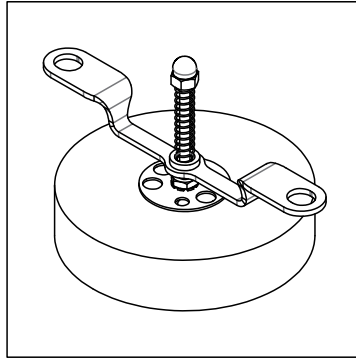
Inlet connection size	60 Float Assy. (230 psi/PN16)	60 Float Assy. (360 psi/PN25)	60 Float Assy. (580psi/PN40)	62 Elastomer Kit	63 Auto Disc Assy. (230 psi/PN16)	63 Auto Disc Assy. (360 psi/PN25)	63 Auto Disc Assy. (580psi/PN40)
2"; DN50	8520C80797	8520C80897	8520C80997	8520C30060-KIT	8520C80796	8520C80896	8520C80996
3"; DN80	8530C80797	8530C80897	8530C80997	8530C30060-KIT	8530C80796	8530C80896	8530C80996
4"; DN100	8540C80797	8540C80897	8540C80997	8540C30060-KIT	8540C80796	8540C80896	8540C80996
6"; DN150	8560C80797	8560C80897	8560C80997	8560C30060-KIT	8560C80796	8560C80896	8560C80996
8"; DN200	8580C80797	8580C80897	8580C80997	8580C30060-KIT	8580C80796	8580C80896	8580C80996
10"; DN250	8501C80797	8501C80897	---	8501C30060-KIT	8501C80796	8501C80896	---

* Drawings are for illustration purposes only

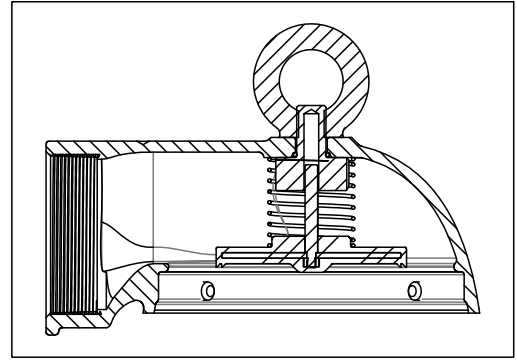
C70 Combination Air Valve - 2-10"; DN50-250



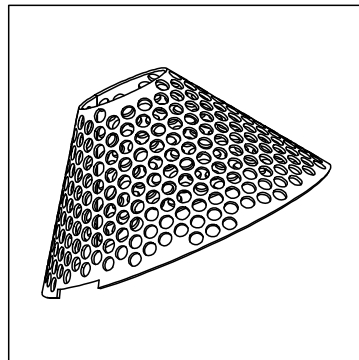
61



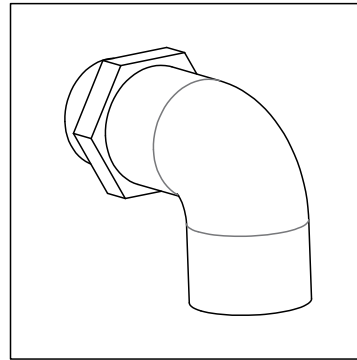
105



106



90



104

Additional features

Inlet connection size	61 Surge Protection Assy.	105 Assisted Closing (AC) Surge Protection Assy.	106 Inflow Prevention Assy.
2"; DN50	8520C80994	8520C80995-KIT	85200P4295-KIT-p
3"; DN80	8530C80994	8530C80995-KIT	85300P4295-KIT-p
4"; DN100	8540C80994	8540C80995-KIT	85400P4295-KIT-p
6"; DN150	8560C80994	8560C80995-KIT	85600P4295-KIT-p
8"; DN200	8580C80994	8580C80995-KIT	---
10"; DN250	8501C80994	---	---

Accessories

Inlet connection size	90 Insects Screen	104 PVC Nipple + 90 Degrees Elbow
2"; DN50	8520070010	9906000244-KIT
3"; DN80	8530070010	9906000232-KIT
4"; DN100	8540070010	---
6"; DN150	8560070010	---
8"; DN200	8580070010	---
10"; DN250	---	---

* Drawings are for illustration purposes only